

GRENZDREHZAHLEN / SPEED LIMITS / 速度极限

MAXIMALE GESCHWINDIGKEIT / MAXIMUM SPEED / 最大速度

Abmessungen Standarddorne mit Standard Gewindebolzen aus Stahl. Schleifscheibe Korund mit Abmessungen aus dem FISCHER Webshop shop.fischerspindle.com. / Dimensions Standard grinding arbors with standard threaded steel bolts. Corundum (aluminium oxide) grinding wheel with dimensions from the FISCHER webshop shop.fischerspindle.com. / 各尺寸钢制螺纹螺栓标准连接杆。FISCHER网上商店提供各尺寸金刚石砂轮刀柄 shop.fischerspindle.com

MFM HJND-16

TYP	MFM-1418/36	MFM-1406/18	MFM-1406/12
HJND-16 2030	36'000	18'000	12'000
HJND-16 2060	36'000	18'000	12'000
HJND-16 2090	36'000	18'000	12'000
HJND-16 2535	36'000	18'000	12'000
HJND-16 2575	36'000	18'000	12'000
HJND-16 25115	28'614	18'000	12'000
HJND-16 3240	36'000	18'000	12'000
HJND-16 3290	31'858	18'000	12'000
HJND-16 32140	22'190	18'000	12'000
HJND-16 4050	34'699	18'000	12'000
HJND-16 40110	24'245	18'000	12'000
HJND-16 40170	16'197	16'197	12'000
HJND-16 5060	29'127	18'000	12'000
HJND-16 50130	18'162	18'000	12'000
HJND-16 50200	11'975	11'975	11'318



MFM HJND-21

TYP	MFM-1524/45	MFM-1224/42	MFM-1224/30	MFM-1224	MFM-1022/30	MFM-1022/45
HJND-21 716	45'000	42'000	30'000	24'000	30'000	45'000
HJND-21 725	45'000	42'000	30'000	24'000	30'000	45'000
HJND-21 736	45'000	42'000	30'000	24'000	30'000	45'000
HJND-21 918	45'000	42'000	30'000	24'000	30'000	45'000
HJND-21 930	45'000	42'000	30'000	24'000	30'000	45'000
HJND-21 945	45'000	42'000	30'000	24'000	30'000	45'000
HJND-21 1220	45'000	42'000	30'000	24'000	30'000	45'000
HJND-21 1235	45'000	42'000	30'000	24'000	30'000	45'000
HJND-21 1250	45'000	42'000	30'000	24'000	30'000	45'000
HJND-21 1625	45'000	42'000	30'000	24'000	30'000	45'000
HJND-21 1645	45'000	42'000	30'000	24'000	30'000	45'000
HJND-21 1665	45'000	42'000	30'000	24'000	30'000	45'000
HJND-21 2030	45'000	42'000	30'000	24'000	30'000	45'000
HJND-21 2060	45'000	42'000	30'000	24'000	30'000	45'000
HJND-21 2090	40'855	36'656	30'000	24'000	30'000	36'384
HJND-21 2535	45'000	42'000	30'000	24'000	30'000	45'000
HJND-21 2575	45'000	38'829	30'000	24'000	30'000	39'040
HJND-21 25115	30'396	27'313	26'805	24'000	27'095	26'297
HJND-21 3240	45'000	42'000	30'000	24'000	30'000	44'600
HJND-21 3290	36'515	30'527	29'657	24'000	30'000	29'145
HJND-21 32140	23'365	20'387	19'912	19'409	20'164	19'175
HJND-21 4050	45'000	36'570	30'000	24'000	30'000	35'946
HJND-21 40110	27'828	23'079	21'198	20'469	22'652	24'454
HJND-21 40170	17'797	15'086	14'041	13'658	14'900	13'927

MFM HJND-28

TYP	MFM-1242/60 MFM-1542/60	MFM-1236/45	MFM-1236	MFM-1032/60
HJND-28 514	60'000	45'000	36'000	60'000
HJND-28 528	60'000	45'000	36'000	60'000
HJND-28 716	60'000	45'000	36'000	60'000
HJND-28 717	60'000	45'000	36'000	60'000
HJND-28 718	60'000	45'000	36'000	60'000
HJND-28 918	60'000	45'000	36'000	60'000
HJND-28 930	60'000	45'000	36'000	60'000
HJND-28 945	60'000	45'000	36'000	60'000
HJND-28 1220	60'000	45'000	36'000	60'000
HJND-28 1235	60'000	45'000	36'000	60'000
HJND-28 1250	60'000	45'000	36'000	60'000
HJND-28 1625	60'000	45'000	36'000	60'000
HJND-28 1645	60'000	45'000	36'000	60'000
HJND-28 1665	52'052	45'000	36'000	49'923
HJND-28 2030	60'000	45'000	36'000	60'000
HJND-28 2060	49'605	45'000	36'000	46'742
HJND-28 2090	33'829	33'239	32'141	31'909
HJND-28 2535	55'109	45'000	36'000	52'453
HJND-28 2575	35'510	34'710	33'011	32'887
HJND-28 25115	23'197	22'955	22'190	21'667

MFM HJND-42

TYP	MFM-860
HJND-42 716	60'000
HJND-42 725	60'000
HJND-42 736	60'000
HJND-42 918	60'000
HJND-42 930	60'000
HJND-42 945	57'144
HJND-42 1220	60'000
HJND-42 1235	58'597
HJND-42 1250	51'423
HJND-42 1625	58'007
HJND-42 1645	49'132
HJND-42 1665	38'960

MFM HJND-50

TYP	MFM-1090 MFM-1590	MFM-890
HJND-50 412	90'000	90'000
HJND-50 418	90'000	90'000
HJND-50 424	90'000	90'000
HJND-50 514	90'000	90'000
HJND-50 520	90'000	90'000
HJND-50 528	90'000	90'000
HJND-50 716	90'000	90'000
HJND-50 725	90'000	82'670
HJND-50 736	82'812	78'553
HJND-50 918	90'000	82'508
HJND-50 930	90'000	80'103
HJND-50 945	64'534	64'435
HJND-50 1220	90'000	80'472
HJND-50 1235	75'113	72'306
HJND-50 1250	56'660	57'357

MFM HJND-60

TYP	MFM-10120 MFM-15120
HJND-60 412	120'000
HJND-60 418	120'000
HJND-60 424	102'833
HJND-60 514	120'000
HJND-60 520	120'000
HJND-60 528	105'192
HJND-60 716	120'000
HJND-60 725	109'611
HJND-60 736	78'137
HJND-60 918	111'894
HJND-60 930	84'214
HJND-60 945	57'470

MFM HJND-70

TYP	MFM-18120
HJND-70 3510	120'000
HJND-70 3515	120'000
HJND-70 3520	120'000
HJND-70 412	120'000
HJND-70 418	120'000
HJND-70 424	102'116
HJND-70 514	120'000
HJND-70 520	120'000
HJND-70 528	103'794
HJND-70 716	111'894
HJND-70 725	106'050
HJND-70 736	77'773

MFM HJND-80

TYP	MFM-8150
HJND-80 308	150'000
HJND-80 312	150'000
HJND-80 317	150'000
HJND-80 3510	150'000
HJND-80 3515	150'000
HJND-80 3520	150'000
HJND-80 412	150'000
HJND-80 418	137'000
HJND-80 424	101'500
HJND-80 514	150'000
HJND-80 520	138'200
HJND-80 528	102'800

MFM HJND-90

TYP	MFM-8180
HJND-90 2507	180'000
HJND-90 2510	180'000
HJND-90 2514	180'000
HJND-90 308	180'000
HJND-90 312	180'000
HJND-90 317	180'000
HJND-90 3510	180'000
HJND-90 3515	180'000
HJND-90 3520	160'427
HJND-90 412	160'015
HJND-90 418	135'445
HJND-90 424	97'931

MFM HSK-C25

TYP	MFM-860	MFM-1032/60	MFM-1236/45	MFM-1242/60
HSKD-C25-930	-	60'000	45'000	60'000
HSKD-C25-945	56'977	60'000	45'000	60'000
HSKD-C25-1235	58'445	60'000	45'000	60'000
HSKD-C25-1250	51'341	60'000	45'000	60'000
HSKD-C25-1645	48'008	60'000	45'000	60'000
HSKD-C25-1665	38'161	48'716	45'000	48'799
HSKD-C25-2060	33'699	45'151	44'451	45'296
HSKD-C25-2090	24'143	30'550	30'261	30'577
HSKD-C25-2575	26'355	35'892	35'288	36'151
HSKD-C25-25115	17'654	22'976	22'751	23'148

MFM-HSK-C32

TYP	MFM-1242/60 MFM-1542/60
HSKD-C32-930	60'000
HSKD-C32-945	60'000
HSKD-C32-1235	60'000
HSKD-C32-1250	60'000
HSKD-C32-1645	60'000
HSKD-C32-1665	48'799
HSKD-C32-2060	45'296
HSKD-C32-2090	30'577
HSKD-C32-2575	36'151
HSKD-C32-25115	23'148

MFM HSK-C40

TYP	MFM-1022/30	MFM-1022/45	MFM-1224/30	MFM-1224/42	MFM-1524/45
HSKD-C40-1645	30'000	45'000	30'000	42'000	45'000
HSKD-C40-1665	30'000	45'000	30'000	42'000	45'000
HSKD-C40-2060	30'000	45'000	30'000	42'000	45'000
HSKD-C40-2090	30'000	36'395	30'000	36'296	40'500
HSKD-C40-2575	30'000	39'036	37'644	38'501	41'500
HSKD-C40-25115	25'780	26'341	26'188	26'676	29'900
HSKD-C40-3290	28'244	29'200	28'818	29'645	35'800
HSKD-C40-32140	18'748	19'238	19'216	19'637	22'800
HSKD-C40-40110	21'770	22'576	22'446	23'183	27'200
HSKD-C40-40170	14'141	14'558	14'583	14'974	17'500

MFM HSK-C50

TYP	MFM-1406/18	MFM1418/36	MFM-1406/12
HSKD-C50-2060	18'000	36'000	12'000
HSKD-C50-2090	18'000	36'000	12'000
HSKD-C50-2575	18'000	36'000	12'000
HSKD-C50-25115	18'000	28'772	12'000
HSKD-C50-3290	18'000	32'186	12'000
HSKD-C50-32140	18'000	22'238	12'000
HSKD-C50-40110	18'000	24'397	12'000
HSKD-C50-40170	16'165	16'165	12'000

MFM HSK-C63

TYP	MFM-1709/15	MFM-1709/30	MFM-1509/30
HSKD-C63-2575	15'000	30'000	30'000
HSKD-C63-25115	15'000	30'000	30'000
HSKD-C63-3290	15'000	30'000	30'000
HSKD-C63-32140	15'000	25'794	25'483
HSKD-C63-40110	15'000	29'906	30'000
HSKD-C63-40170	15'000	19'610	19'900
HSKD-C63-50130	15'000	22'076	22'972
HSKD-C63-50200	14'368	14'490	17'488

GRENZSCHAFTLÄNGE / SHAFT LENGTH LIMIT / 长度极限

MFM HJNZ-16

TYP	MFM-1418/36	MFM-1406/18	MFM-1406/12
D12mm	90	145	180
D16mm	90	160	205
D20mm	85	175	220



MFM HJNZ-21

TYP	MFM-1524/45	MFM-1224/42	MFM-1224/30	MFM-1224	MFM-1022/30	MFM-1022/45
D7mm	70	73	85	95	85	68
D9mm	80	80	95	105	95	75
D12mm	90	85	110	120	105	80
D16mm	95	85	120	135	115	80

MFM HJNZ-28

TYP	MFM-1242/60 MFM-1542/60	MFM-1236/45	MFM-1236	MFM-1032/60
D5mm	50	58	65	50
D7mm	55	70	75	55
D9mm	55	75	85	55
D12mm	45	80	95	45

MFM HJNZ-42

TYP	MFM-860
D5mm	10
D7mm	10

MFM HJNZ-50

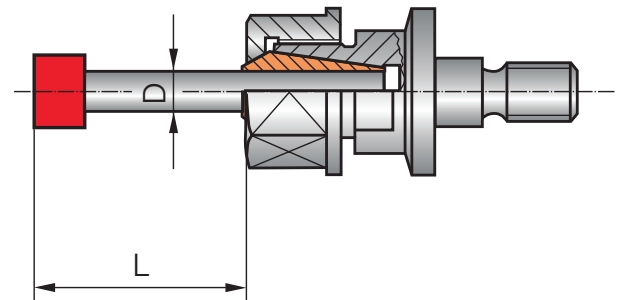
TYP	MFM-1090 MFM-1590	MFM-890*
D3mm	32	81'400
D3.5mm	33	81'300
D4mm	35	81'200
D5mm	35	80'800
D7mm	30	78'300
		81'500**

MFM HJNZ-60

TYP	MFM-10120*
D2.5mm	92'200
D3mm	91'600
D3.5mm	90'900
D4mm	89'800
D5mm	86'600
	95'500**

MFM HJNZ-70

TYP	MFM-8120*
D2mm	112'000
D2.5mm	112'000
D3mm	112'000
D3.5mm	111'900
D4mm	111'800
D5mm	110'500
	112'000**



MFM HJNZ-80

TYP	MFM-8150*
D2mm	134'200
D2.5mm	133'200
D3mm	131'500
D3.5mm	129'000
D4mm	125'500
D5mm	114'700
	135'000**

* Grenzdrehzahl in [U/min] für Schaftlängen bis $L=5xD$ / Limiting speed in [rpm] for shaft length up to $L=5xD$ / 芯棒长度不超过 $L=5xD$ 时的极限速度[rpm]

**Grenzdrehzahl in [U/min] des Werkzeughalters / Limit speed in [rpm] of the tool holder / 刀柄的极限速度[rpm]

Alle Grenzschaftlängen in [mm] / All shaft length limits in [mm] / 所有极限长度的单位为[mm]。